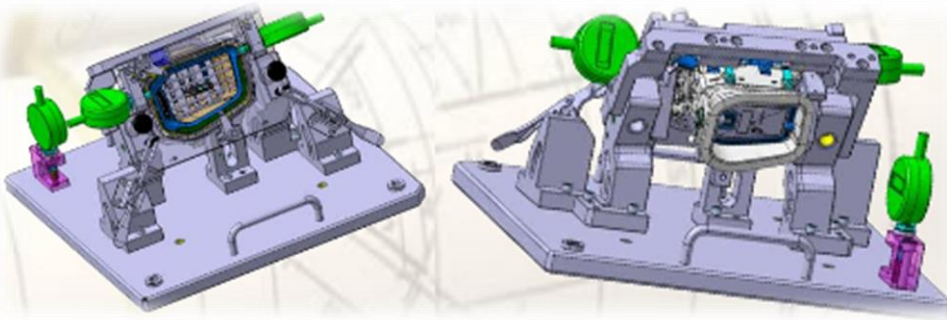


Assy Measuring Jig-Cubing AIRVENT IP PASSENGER RH/LH



The Scania air vent car, is part of the interior of the Scania bus component, which has a large function for driver comfort. The position of the air vent itself is in front of the driver and passengers. Its general function is to regulate the size of the air flow released from the air conditioner so that the driver can adjust it as desired.

To measure and guarantee its quality, a measuring instrument is needed to ensure the dimensions and geometry of the air vent component, namely Checking Fixture.

The Checking Fixture (CF) type used for this Scania Bus Air vent Car product is the Cubing and Measuring Jig type.

Cubing is used to check products by functioning like the Go-NoGo Gauge.

And Measuring Jig Serves to position and bind (clamp) the product, so that the CMM can measure based on 3d data at the product's basic point.



Assy Measuring Jig-Cubing AIRVENT IP DRIVER RH/LH

