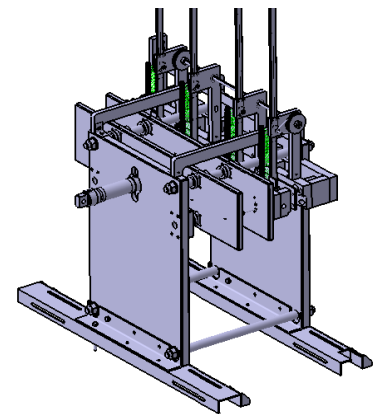




**Tagging Unit**

This machine is used for the hanging perfume packaging process. After the process of inserting the product into the pouch and neatly closed and coded, the pouch is perforated and linked to a hook hanger in one step of the process. The results are seen on the side; pouch ready to hang anywhere.

This tagging unit is able to replace the manual tagging process and can increase the speed and production capacity up to 4 (four) pouches per 3 (three) seconds.



# Tagging Unit on Packaging Machine