

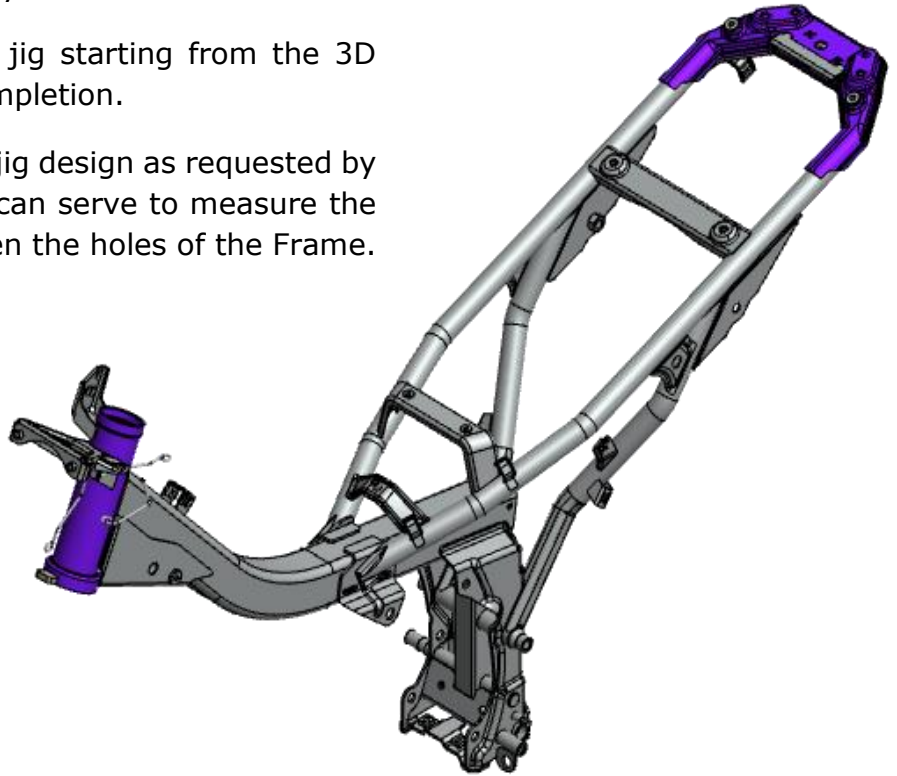


## Jig Inspection Frame

This picture is a frame of a motorcycle.

DTI makes this Frame inspection jig starting from the 3D model of the Frame product to completion.

DTI designs the Inspection Frame jig design as requested by the customer, where the concept can serve to measure the bolt holes and the distance between the holes of the Frame.



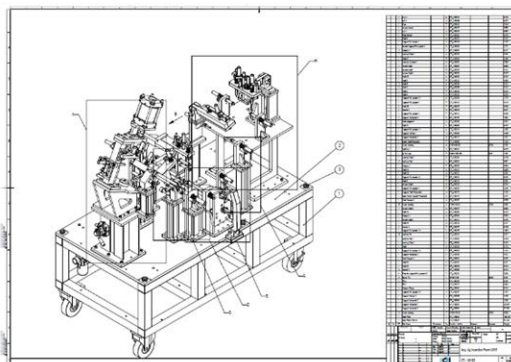
### Process:



### Modelling



### Drawing



### Production



### Assembling

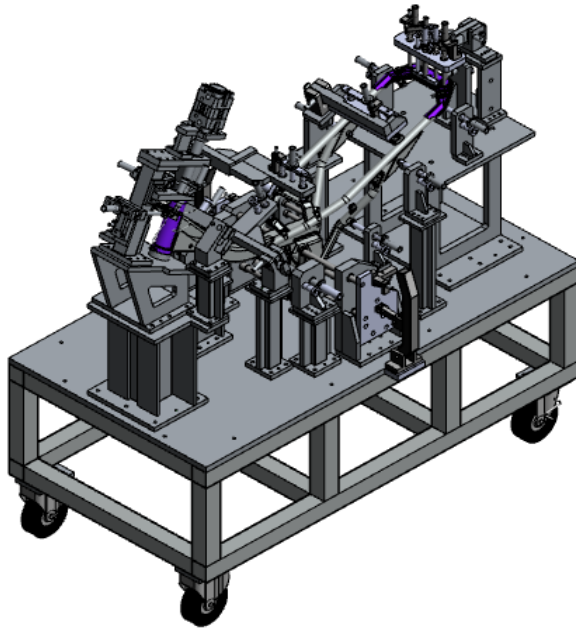


System Locator Jig by using Pin & Bush where points with close proximity are designed by combining several Locating Pins into 1 plate + handle, so that the operator can more quickly install the product on the inspection jig.

The main locator is the pipe that connects to the handlebar of the motor, where the locator system uses a pneumatic cylinder so that the locating becomes stronger.



### Model Jig Inspection Frame



### Measurement by CMM



### CMM Report

Session Information		dti	
Part Name	Asay Jig Inspection Frame U019		
Session Name	Point karam		
Company Name	PT. DESIGN & TECHNICS INDONESIA		
Operator	SUPRI		
Date	22 SEPTEMBER 2017		

Circle	Actual	Nom	Dev	Circle	Actual	Nom	Dev	Circle	Actual	Nom	Dev	Circle	Actual	Nom	Dev
Circle 11	117.03mm	116.90mm	0.13mm	Circle 12	104.31mm	104.30mm	0.01mm	Circle 13	102.31mm	102.20mm	0.11mm	Circle 14	112.27mm	112.40mm	-0.13mm
Circle 15	100.00mm	100.00mm	0.00mm	Circle 16	102.20mm	102.20mm	0.00mm	Circle 17	100.00mm	100.00mm	0.00mm	Circle 18	100.00mm	100.00mm	0.00mm
Circle 19	100.00mm	100.00mm	0.00mm	Circle 20	100.00mm	100.00mm	0.00mm	Circle 21	100.00mm	100.00mm	0.00mm	Circle 22	100.00mm	100.00mm	0.00mm
Circle 23	100.00mm	100.00mm	0.00mm	Circle 24	100.00mm	100.00mm	0.00mm	Circle 25	100.00mm	100.00mm	0.00mm	Circle 26	100.00mm	100.00mm	0.00mm
Circle 27	100.00mm	100.00mm	0.00mm	Circle 28	100.00mm	100.00mm	0.00mm	Circle 29	100.00mm	100.00mm	0.00mm	Circle 30	100.00mm	100.00mm	0.00mm

Circle 34							Readings:3
	actual	nominal	deviation	low soil	up soil	OOI	
Cartor.x	-117.03mm	-116.90mm	-0.13mm	-0.20mm	0.20mm	0.00mm	
Cartor.y	282.50mm	282.70mm	-0.20mm	-0.20mm	0.20mm	0.00mm	
Cartor.z	54.42mm	54.51mm	-0.09mm	-0.20mm	0.20mm	0.00mm	

13							Readings:4
	actual	nominal	deviation	low soil	up soil	OOI	
Cartor.x	-192.31mm	-192.20mm	-0.11mm	-0.20mm	0.20mm	0.00mm	
Cartor.y	292.65mm	292.70mm	-0.05mm	-0.20mm	0.20mm	0.00mm	
Cartor.z	-266.52mm	-267.00mm	0.47mm	-0.20mm	0.20mm	0.00mm	

15							Readings:4
	actual	nominal	deviation	low soil	up soil	OOI	
Cartor.x	-156.51mm	-156.60mm	0.09mm	-0.20mm	0.20mm	0.00mm	
Cartor.y	374.30mm	373.00mm	1.30mm	-0.20mm	0.20mm	0.00mm	
Cartor.z	-477.50mm	-477.30mm	-0.20mm	-0.20mm	0.20mm	0.00mm	

DTI successfully completed the Jig Inspection Frame manufacturing project with **Top Quality** and **On Time Delivery**.